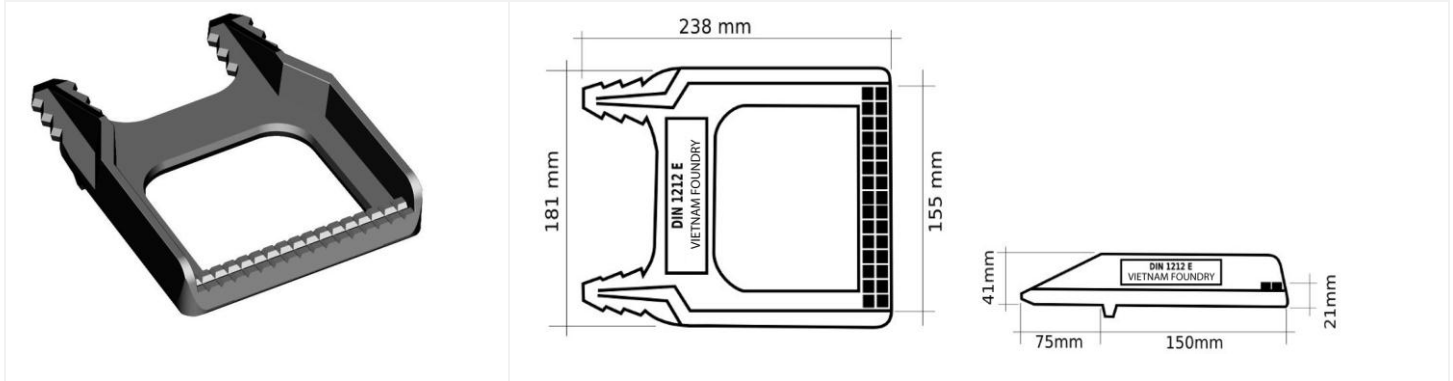




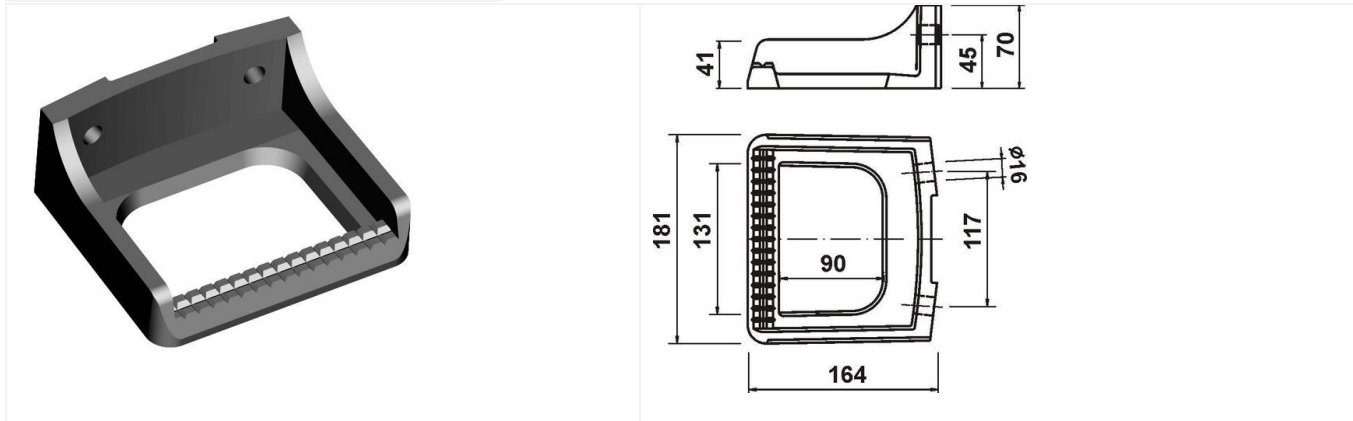
## MANHOLE STEP

### Cast iron step DIN 1212E



Material: Cast iron (GG) EN - GJL-200 finish according to customer requirements.  
Weight: 2,80 kg  
Packing: 500 pcs/wooden box  
Nom: EN 13101-I-D-GIS, DIN 1212 - E  
Standard title: DIN EN 1561 in Betuminierte or bright surface  
Steps for underground man entry chambers - Requirements, marking, testing and evaluation of conformity

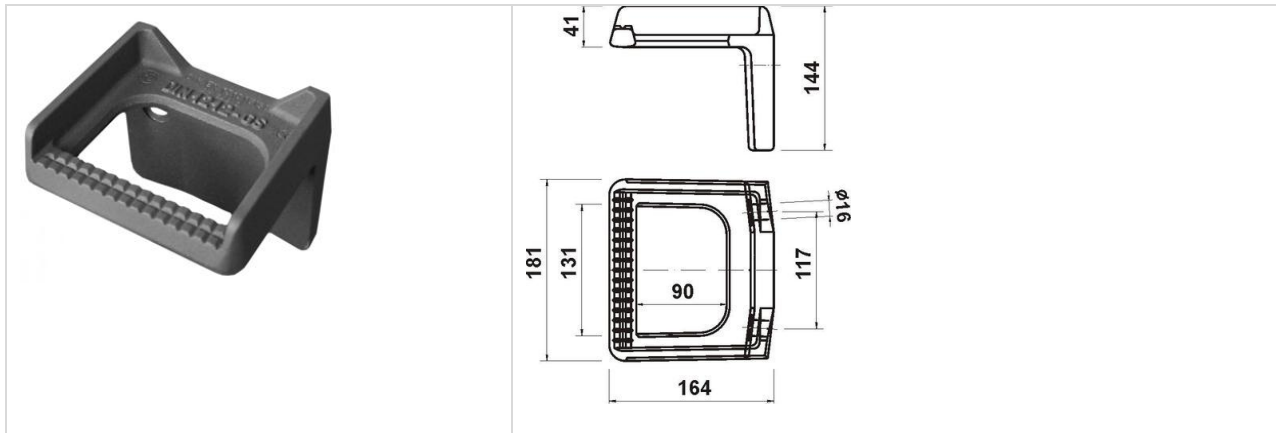
### Cast iron step DIN 1212 G



Material: Cast Iron EN-GJL 200  
Weight: 3,00 kg  
Packing: 384 pcs/wooden box  
Standard: EN 13101-I-D-GIS, DIN 1212 - G  
Standard title: Steps for underground man entry chambers - Requirements, marking, testing and evaluation of conformity



**Cast iron step DIN 1212 GS**



Material:	Cast Iron
Weight:	4,80 kg
Packing:	240 pcs/wooden box
Standard:	EN 13101-I-D-GIS, DIN 1212 - GS
Standard title:	Steps for underground man entry chambers - Requirements, marking, testing and evaluation of conformity